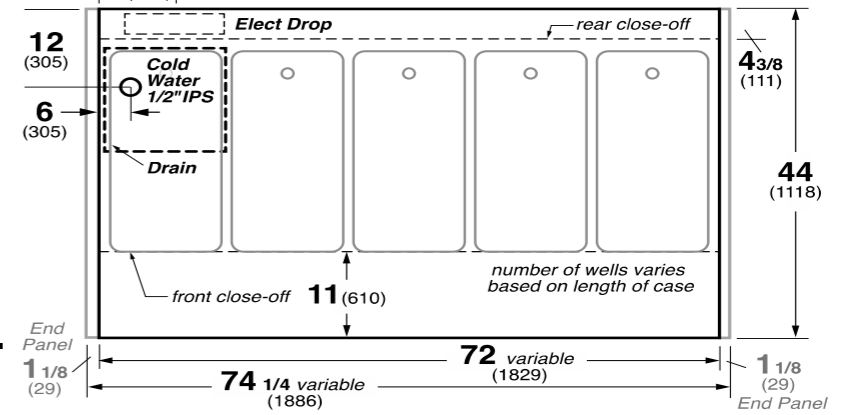
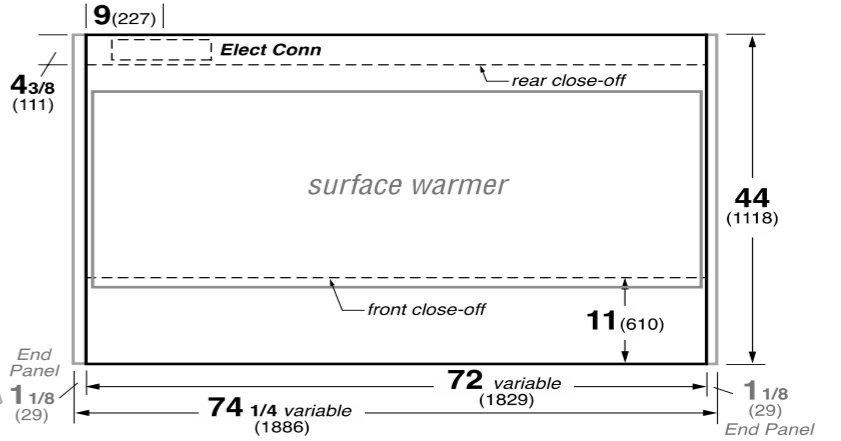


QHC, QHS Q-Series Hot Merchandisers

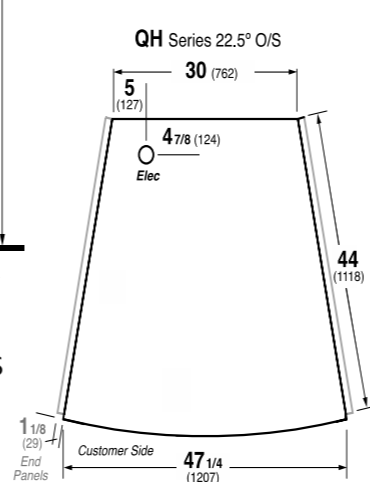


QH-SS Q-Series Hot Merchandisers

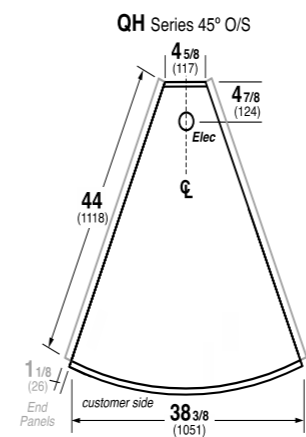


SERVICE CASE W/WELLS

SELF-SERVICE CASE W/SURFACE WARMERS



Q-HV



ELECTRICAL DATA:

SURFACE WARMER		VOLTS	PH	HZ	TOTAL WELLS	WATTS	L1	L2	L3	FANS / CASE	WIRES **	OPTIONAL LEDGE LIGHTS T-5 *	
												AMPS	WATTS
4'	HOT	208	1	60	NA	2787	13.4	12.8	NA	2	4	0.26	28
5'	HOT	208	1	60	NA	3224	15.5	14.6	NA	3	4	0.32	35
6'	HOT	208	3	60	NA	5284	14.7	14.1	15.2	3	5	0.39	42
8'	HOT	208	3	60	NA	3062	7.7	6.5	11.3	4	5	0.52	56
10'	HOT	208	3	60	NA	5068	17.4	9	15.8	6	5	0.65	70
12'	HOT	208	3	60	NA	7805	23.2	20.9	20.9	6	5	0.78	84
22.5° O/S	HOT	208	1	60	NA	1789	8.6	8.4	NA	NA	4	TBD	TBD
45° O/S	HOT	208	1	60	NA	1801	8.7	8.4	NA	TBD	4	TBD	TBD

LEGEND		
NA -	NOT AVAILABLE	
TBD -	TO BE DETERMINED	
CKT -	CIRCUIT	
SBO -	SUPPLIED BY OTHERS	
EXTERNAL END PANEL WIDTH KEY		
# OF END PNLS	END PNL WIDTH (IN.)	TOTAL ADDED LENGTH (IN.)
1	1.125	1.125
2	1.125	2.25

HOT WELLS		VOLTS	PH	HZ	TOTAL WELLS	WATTS	L1	L2	L3	FANS / CASE	WIRES **	OPTIONAL LEDGE LIGHTS T-5 *	
												AMPS	WATTS
4'	HOT	208	1	60	3	5325	25.6	24.9	NA	2	4	0.26	28
5'	HOT	208	3	60	4	8257	23.5	27.8	17.4	3	5	0.32	35
6'	HOT	208	3	60	5	10063	30.6	29.5	23.7	3	5	0.39	42
8' CKT 1	HOT	208	3	60	6	8514	24.5	23.2	23.2	4	5	0.52	56
CKT 2	HOT	208	3	60	NA	3602	7.5	15	7.5	NA	5	NA	NA
10' CKT 1	HOT	208	3	60	8	8682	23.7	26.5	22.1	6	5	0.65	70
CKT 2	HOT	208	3	60	NA	4323	9.0	18	9.0	NA	5	NA	NA
12' CKT 1	HOT	208	3	60	6	8598	25.2	23.2	23.2	6	5	0.78	84
CKT 2	HOT	208	3	60	3	9583	26.6	26.6	26.6	NA	5	0.78	84

COMBINATION WARMERS / WELLS		VOLTS	PH	HZ	TOTAL WELLS	WATTS	L1	L2	L3	FANS / CASE	WIRES **	OPTIONAL LEDGE LIGHTS T-5 *	
												AMPS	WATTS
8'	HOT	208	3	60	TBD	TBD	TBD	TBD	TBD	4	5	0.52	56
10'	HOT	208	3	60	TBD	TBD	TBD	TBD	TBD	6	5	0.65	70
12'	HOT	208	3	60	TBD	TBD	TBD	TBD	TBD	6	5	0.78	84

* LIGHTS AND FANS INCLUDED IN TOTAL LOADS

** INCLUDES GROUND WIRE

OPTIONS/NOTES:

- 1) NOTE: CASES MUST BE GROUNDED
- 2) NOTE: LED LIGHTS ARE NOT AVAILABLE ON HOT CASES AT THIS TIME.